

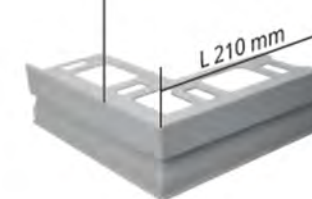
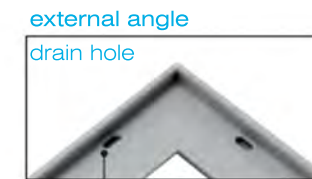
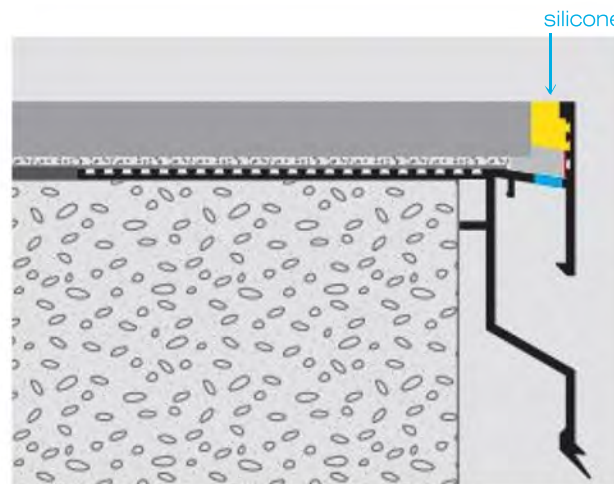
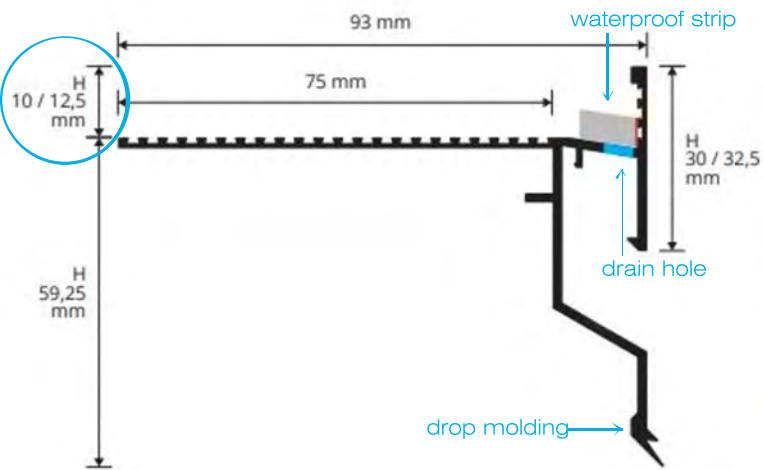
# PROTERRACE DRAIN DRIP



# PROTERRACE DRAIN DRIP

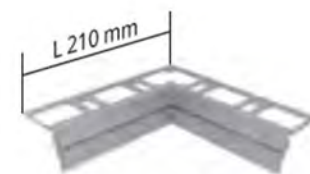


This profile is made of varnished aluminium. It is designed to protect the edges of tiles laid on terraces and balconies and to ensure proper water discharge. The profile is provided by a spacer that guarantees its correct positioning and by an open cell polyurethane adhesive strip that prevents silicone from blocking the drain holes.



**H 10 mm/12.5 mm**  
different profile height  
for ceramic / stone  
paving.

internal angle





This system of peripheral terrace profiles is characterized because it allows relieving the accumulated water beneath the ceramic and draining it through the profiles perforation.

#### AVAILABLE COLORS

white



gray



anthracite gray

#### COLORS ON REQUEST



dark brown



corten



beige



IZONET D.O.O.

ADRESA 1: Jovana Popovića - Lipovca b.b., blok IX  
(ATC Top Plus), 81000, Podgorica

ADRESA 2: Kovačko polje b.b., 85330, Kotor

E-MAIL: [team@izonet.net](mailto:team@izonet.net)

MOB 1: +382 68 17 88 44

MOB 2: +382 68 42 49 17

TEL/FAX: +382 32 32 66 96

[www.izonet.net](http://www.izonet.net)